

Please write clearly in block capitals.

Centre number

--	--	--	--	--

Candidate number

--	--	--	--

Surname

Forename(s)

Candidate signature

GCSE MATHEMATICS

F

Foundation Tier Paper 1 Non-Calculator

Tuesday 21 May 2019

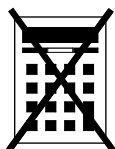
Morning

Time allowed: 1 hour 30 minutes

Materials

For this paper you must have:

- mathematical instruments



You must **not** use a calculator.

Instructions

- Use black ink or black ball-point pen. Draw diagrams in pencil.
- Fill in the boxes at the top of this page.
- Answer **all** questions.
- You must answer the questions in the spaces provided. Do not write outside the box around each page or on blank pages.
- Do all rough work in this book. Cross through any work you do not want to be marked.

Information

- The marks for questions are shown in brackets.
- The maximum mark for this paper is 80.
- You may ask for more answer paper, graph paper and tracing paper. These must be tagged securely to this answer book.

For Examiner's Use	
Pages	Mark
2–3	
4–5	
6–7	
8–9	
10–11	
12–13	
14–15	
16–17	
18–19	
20–21	
22–23	
24–25	
26	
TOTAL	

Advice

In all calculations, show clearly how you work out your answer.



Answer **all** questions in the spaces provided

- 1** Which type of angle is the largest?
Circle your answer.

[1 mark]

right

reflex

obtuse

acute

- 2** Solve $4x = 8$
Circle your answer.

[1 mark] $x = 0.5$ $x = 2$ $x = 4$ $x = 32$

- 3** Work out $10 + (-4)$
Circle your answer.

[1 mark]

-14

-6

6

14



4 Circle the calculation which works out half of 12

[1 mark]

$12 \div 0.5$

$2 \div 12$

$12 \times \frac{1}{2}$

$12 \div 50 \times 100$

5 (a) Work out $364.5 + 17.9 - 2.08$

[2 marks]

Answer _____

5 (b) Work out 9.36×2

[1 mark]

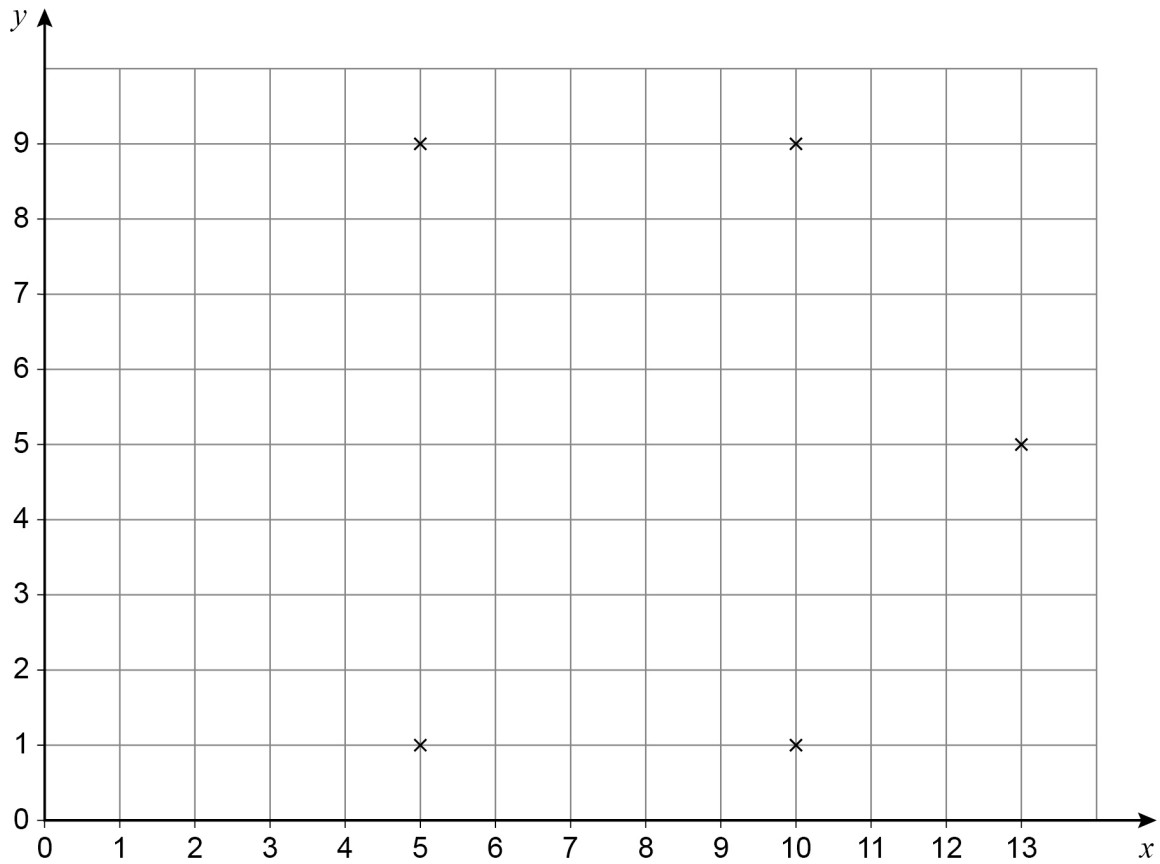
Answer _____

7

Turn over ►



- 6 Five points are plotted on a centimetre grid.



The points are five of the vertices of a hexagon.

Each side of the hexagon has the same length.

Work out **one** possible pair of coordinates of the other vertex.

[2 marks]

Answer (_____ , _____)



- 7** Amy and Brad each have some money.
Carly has no money.
Amy gives £7 to Carly.
Brad gives £5 to Carly.
Now they all have the same amount of money.
How much money did Amy have to begin with?

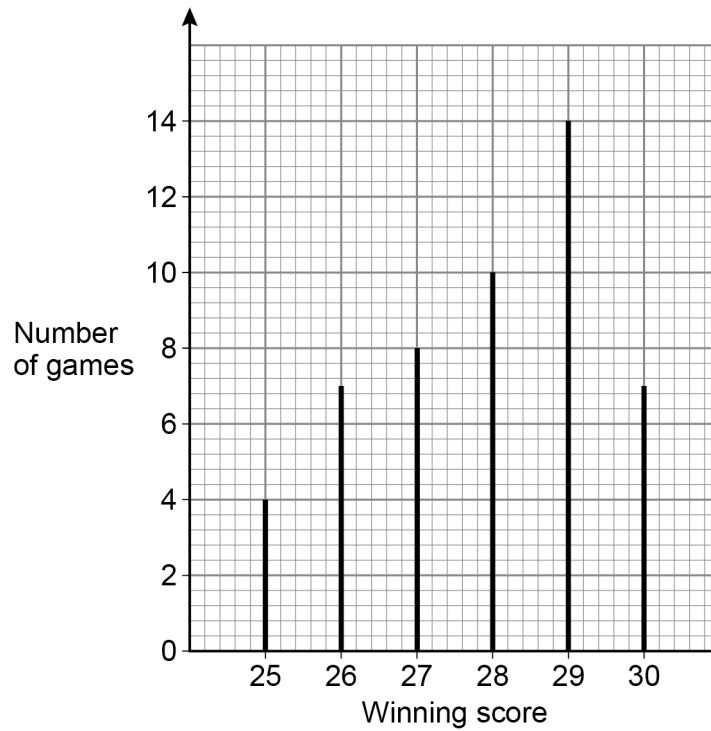
[2 marks]

Answer £ _____

Turn over for the next question



- 8 A game is played 50 times.
The vertical line chart shows the winning scores.



- 8 (a) Write down the mode.

[1 mark]

Answer _____



The game is played again.

- 8 (b) Use the chart to estimate the probability that the winning score is 25

[1 mark]

Answer _____

- 8 (c) Use the chart to estimate the probability that the winning score is 27 or more.

[2 marks]

Answer _____

- 9 (a) Write down **all** the factors of 18

[2 marks]

Answer _____

- 9 (b) Work out the lowest common multiple (LCM) of 12 and 15

[2 marks]

Answer _____



10 Coaches take people to a festival.
Each coach can take 50 people.

10 (a) From one city there are 820 people.
How many coaches are needed?

[3 marks]

Answer _____



- 10 (b)** From a different city 13 coaches are needed.
Each coach costs £450 to hire.
Work out the total cost of hiring 13 coaches.

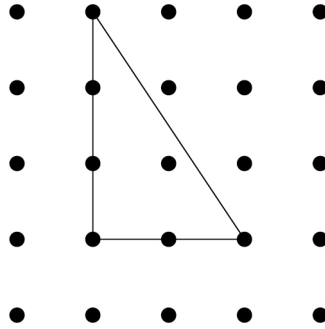
[3 marks]

Answer £ _____

Turn over for the next question

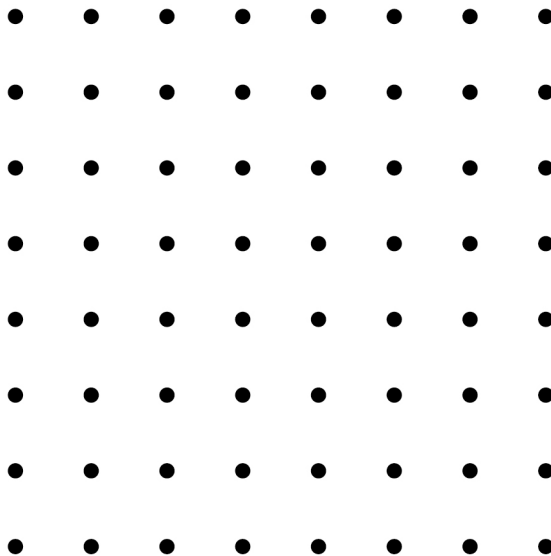


- 11 Here is a triangle on a square dotted grid.



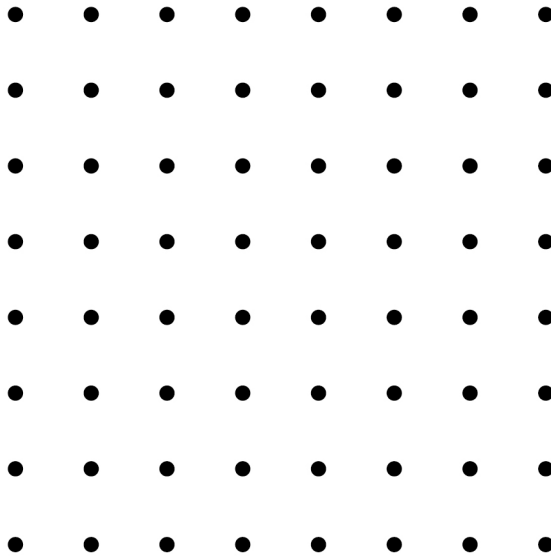
- 11 (a) On the grid below, show how you can make a parallelogram with **two** of these triangles.

[1 mark]



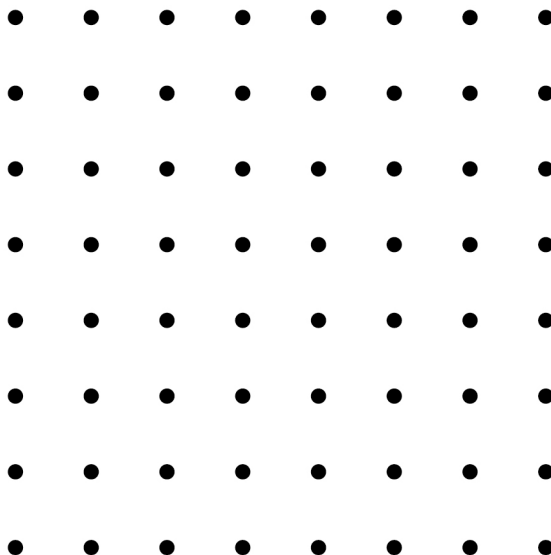
11 (b) On the grid below, show how you can make a trapezium with **three** of these triangles.

[1 mark]



11 (c) On the grid below, show how you can make a rhombus with **four** of these triangles.

[1 mark]



12 Work out 65% of 300

[3 marks]

Answer _____

13 In a game the average score was 50

Tom's score was $\frac{5}{2}$ of the average.

Circle Tom's score.

[1 mark]

125

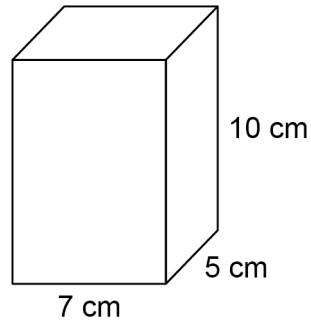
175

30

20



- 14 Here is a cuboid.



Work out the volume.

[2 marks]

Answer _____ cm^3

- 15 Circle the shape that has a uniform cross section.

[1 mark]

cone

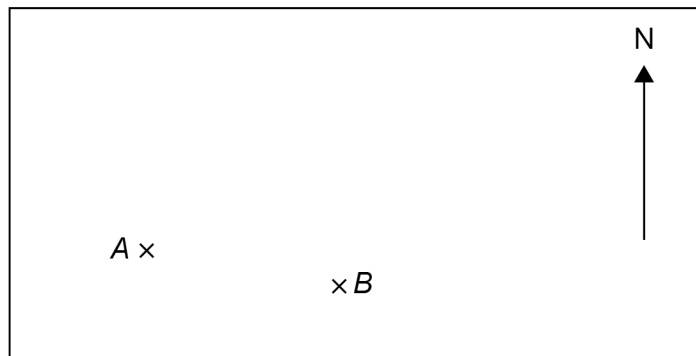
sphere

cylinder

pyramid

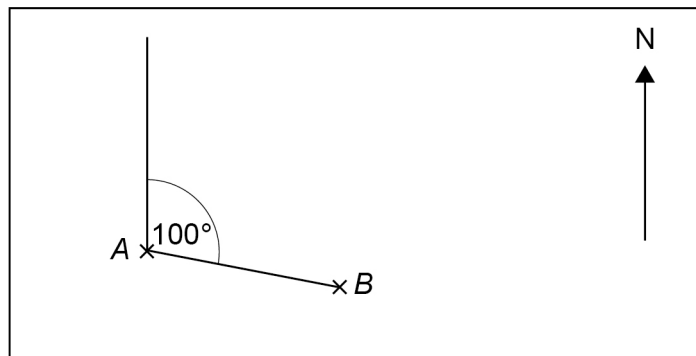


16 (a) Here is a map showing points A and B .



Kemal wants to measure the bearing of A from B .

He draws two lines and measures the angle between them.



Kemal says that the bearing of A from B is 100°

Is his method correct?

Give a reason for your answer.

[1 mark]



16 (b) On a different map, the bearing of D from C is 045°

Nina says,

“ D is North West of C .”

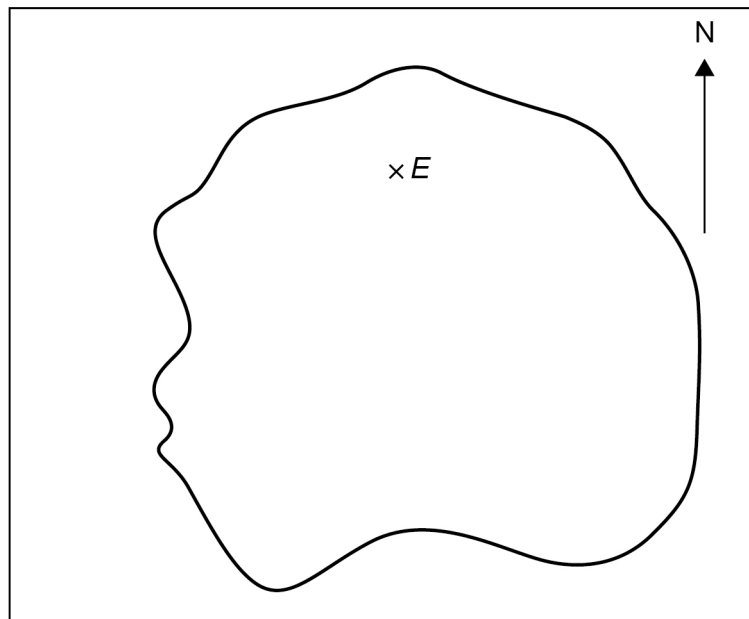
Is Nina correct?

Give a reason for your answer.

[1 mark]

16 (c) This map shows an airport, E , on an island.

Scale: 1 cm represents 100 km



A plane flies due South from the airport.

How far does it fly until it reaches the sea?

[3 marks]

Answer _____ km



17 (a) Simplify fully $56 : 24$

[2 marks]

Answer _____ : _____

17 (b) Write the ratio $5 : 4$ in the form $n : 1$

[1 mark]

Answer _____ : _____

17 (c) Share £180 in the ratio $1 : 9$

[2 marks]

Answer £ _____ and £ _____



18 Here is some data about the people listening to a radio station one day.

	Percentage	Mean number of hours listening	Range of number of hours listening
Aged 40 or under	21	1.2	4.5
Aged 41 or over	79	6.3	13.9

Compare the data for people aged 40 or under with the data for people aged 41 or over. Make **three** comparisons.

[3 marks]

Comparison 1 _____

Comparison 2 _____

Comparison 3 _____

Turn over for the next question



19 You are given that $4a - 2b = 10$

19 (a) Write down the value of $2a - b$

[1 mark]

Answer _____

19 (b) Write down the value of $2b - 4a$

[1 mark]

Answer _____

19 (c) You are given that $4a - 2b = 10$ and $a + c = 3$

Write an expression in a , b and c that is equal to 23

Give your answer in its simplest form.

You **must** show your working.

[2 marks]

Answer _____



20 (a) Write 0.00097 in standard form.

[1 mark]

Answer _____

20 (b) Work out $\frac{3 \times 10^5}{4 \times 10^3}$

Give your answer as an ordinary number.

[2 marks]

Answer _____

Turn over for the next question

7

Turn over ►



- 22** Three friends arrive at a party.
Their arrival increases the number of people at the party by 20%
In total, how many people are now at the party? **[2 marks]**

Answer _____



23 Work out the value of $(3^{12} \div 3^5) \div (3^2 \times 3)$

[3 marks]

Answer _____

24 (a) $a + b = 0$

Which of these is equal to b ?

Circle your answer.

[1 mark]

0

 $\frac{1}{a}$ a $-a$

24 (b) $c \times d = 1$

Which of these is equal to d ?

Circle your answer.

[1 mark]

1

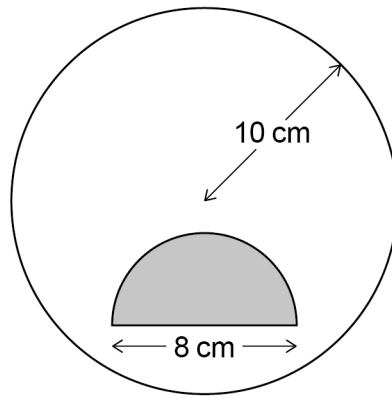
 $\frac{1}{c}$ c $-c$

Turn over ►



- 25 A shaded semicircle is inside a circle as shown.

Not drawn
accurately



The **radius** of the circle is 10 cm

The **diameter** of the semicircle is 8 cm

How many times bigger is the unshaded area than the shaded area?

[4 marks]

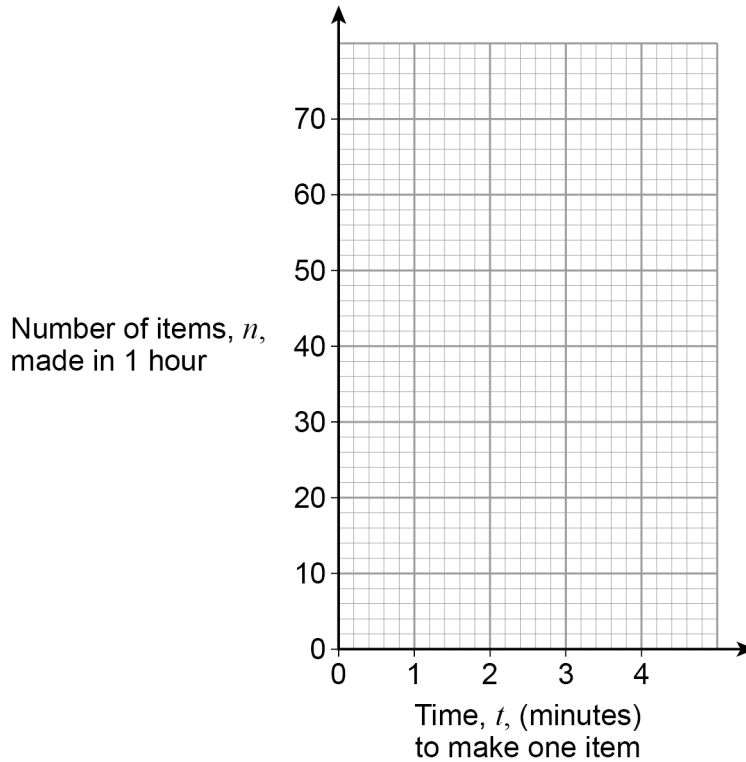
Answer _____



- 26** The number of items, n , made in 1 hour by a machine is given by $n = \frac{60}{t}$
 t is the time in minutes the machine takes to make one item.
 The value of t changes for different types of item.

- 26 (a)** On the grid below, draw the graph of $n = \frac{60}{t}$ for values of t from 1 to 4

[2 marks]



- 26 (b)** The machine takes 3 minutes 30 seconds to make one item.
 Use your graph to estimate the value of n .

[2 marks]

Answer _____



27 Rearrange $x = 2y - 6$ to make y the subject.

[2 marks]

Answer _____

28 Multiply out and simplify $(x + 5)(x - 1)$

[2 marks]

Answer _____

END OF QUESTIONS



There are no questions printed on this page

*Do not write
outside the
box*

**DO NOT WRITE ON THIS PAGE
ANSWER IN THE SPACES PROVIDED**



There are no questions printed on this page

*Do not write
outside the
box*

**DO NOT WRITE ON THIS PAGE
ANSWER IN THE SPACES PROVIDED**

Copyright information

For confidentiality purposes, from the November 2015 examination series, acknowledgements of third-party copyright material are published in a separate booklet rather than including them on the examination paper or support materials. This booklet is published after each examination series and is available for free download from www.aqa.org.uk after the live examination series.

Permission to reproduce all copyright material has been applied for. In some cases, efforts to contact copyright-holders may have been unsuccessful and AQA will be happy to rectify any omissions of acknowledgements. If you have any queries please contact the Copyright Team, AQA, Stag Hill House, Guildford, GU2 7XJ.

Copyright © 2019 AQA and its licensors. All rights reserved.



2 8



1 9 6 G 8 3 0 0 / 1 F

IB/M/Jun19/8300/1F